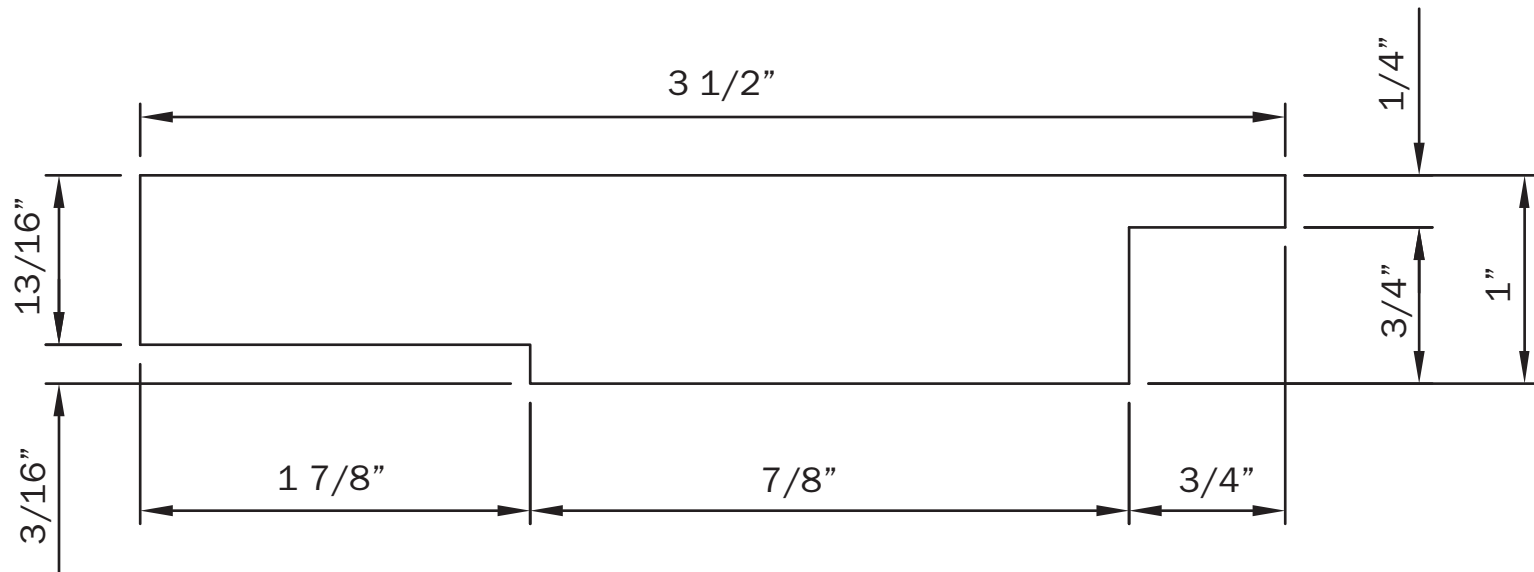


VERSATEX[®]

TRIM BOARD

TRIM SMARTER.



VERSATEX Trimboard Building Products

www.versatex.com

(724) 857-1111

Nominal 5/4" x 4"
Stealth with Flange Slot

Scale: NTS

Actual
1" x 3 1/2"

Part No. SNFTBSM/TR540418